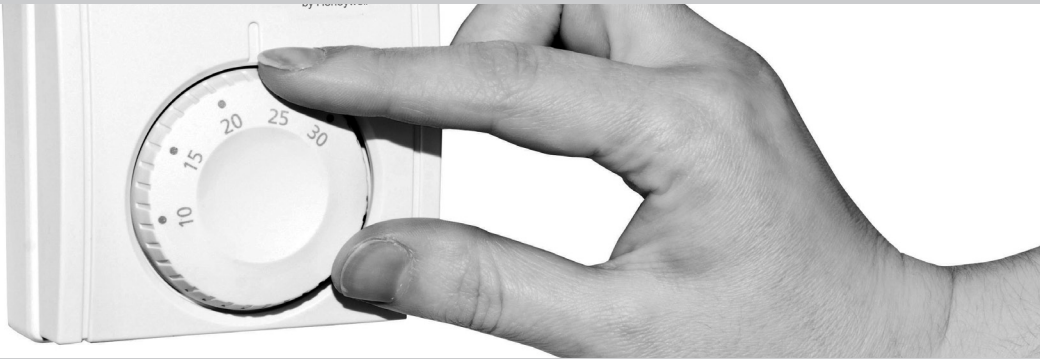


# User Manual

homexpert™  
by Honeywell

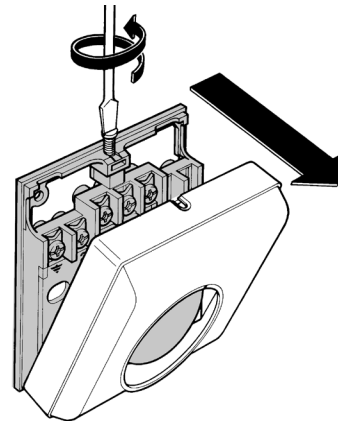
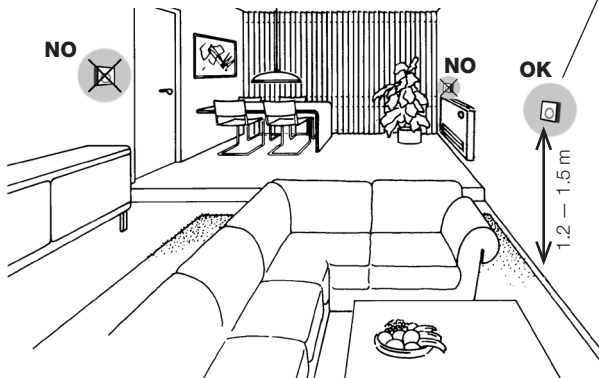


## THR830TUK Room Thermostat

50051981-001 Rev. A

### Installation

Install away from sources of hot or cold air



**i** **NOTE:** If you are not experienced in equipment installation, we recommend that these procedures be done by a professional installer.

**⚠** **DISCONNECT ELECTRIC POWER BEFORE INSTALLATION:** Can cause electrical shock or equipment damage.

### What is a room thermostat?

#### ...an explanation for householders

A room thermostat simply switches the heating system on and off as necessary. It works by sensing the air temperature, switching on the heating when the air temperature falls below the thermostat setting, and switching it off once this set temperature has been reached. Turning a room thermostat to a higher setting will not make the room heat up any faster. How quickly the room heats up depends on the design of the heating system, for example, the size of boiler and radiators.

Neither does the setting affect how quickly the room cools down. Turning a room thermostat to a lower setting will result in the room being controlled at a lower temperature, and saves energy.

The heating system will not work if a time switch or programmer has switched it off.

The way to set and use your room thermostat is to find the lowest temperature setting that you are comfortable with, and then leave it alone to do its job. The best way to do this is to set the room thermostat to a low temperature – say 18°C – and then turn it up by one degree each day until you are comfortable with the temperature. You won't have to adjust the thermostat

further. Any adjustment above this setting will waste energy and cost you more money.

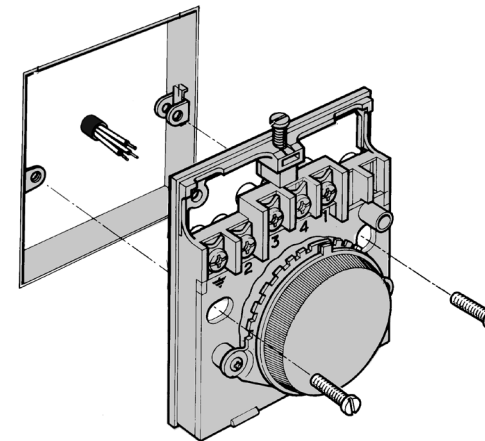
If your heating system is a boiler with radiators, there will usually be only one room thermostat to control the whole house. But you can have different temperatures in individual rooms by installing thermostatic radiator valves (TRVs) on individual radiators. If you don't have TRVs, you should choose a temperature that is reasonable for the whole house. If you do have TRVs, you can choose a slightly higher setting to make sure that even the coldest room is comfortable, then prevent any overheating in other rooms by adjusting the TRVs.

Room thermostats need a free flow of air to sense the temperature, so they must not be covered by curtains or blocked by furniture. Nearby electric fires, televisions, wall or table lamps may prevent the thermostat from working properly.

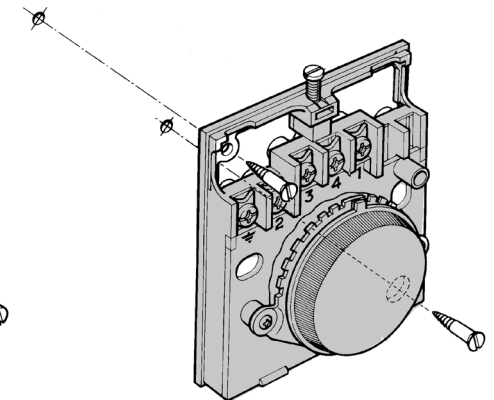


### Wall mounting

Mounting on junction box

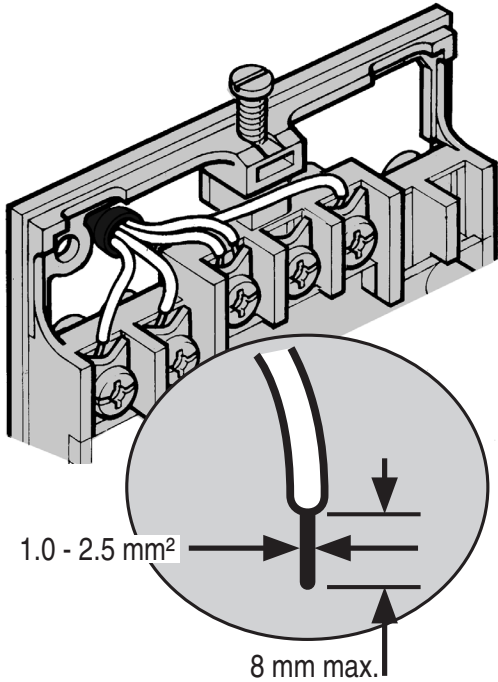


Flush mounting on wall



Remove the thermostat from the wall bracket as shown at left. Install about 1.2 to 1.5 metres above the floor.

## Wiring



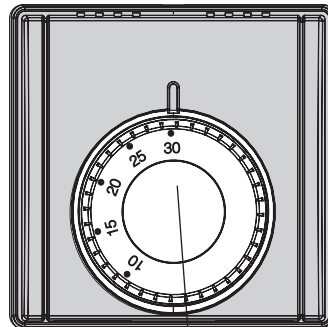
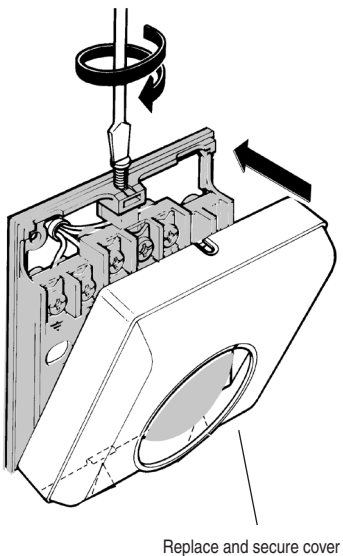
Connect wiring from your heating or cooling equipment to the thermostat as shown at left. See wiring diagrams for details.

- 1 **Make sure electrical power is off.**
- 2 Strip insulation to expose about 6 mm of bare wire.
- 3 Use a screwdriver to loosen terminal screw, insert wire into slot, then tighten screw.
- 4 See below to test and finish installation

**NOTE:** All wiring must comply with IEE regulations. Keep AC mains supply/load cables separate from equipment wiring.



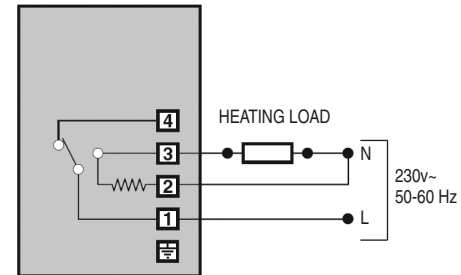
## Test system and finish installation



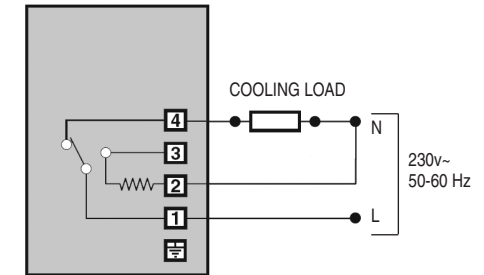
- 1 Replace cover and secure with screw as shown at left.
- 2 Check the power supply to make sure the heating system is on.
- 3 Turn the control dial to raise target temperature to 30° C. If the thermostat is wired properly, the heating system should begin running.
- 4 To stop the test, turn the control dial to lower the target temperature to an appropriate level. The heating system should turn off.

## Wiring diagrams

### Heating application



### Cooling application



- All wiring must be in accordance with IEE Regulations. This thermostat is for fixed wiring only.
- A switch, having contact separation of at least 3mm in all poles must be incorporated in the fixed wiring as a means of disconnecting the supply.
- The thermostat is a Class II (double insulated) device. A parking terminal is provided for external earth wiring continuity.
- The heating system must incorporate a fuse rated at no more than 10 Amps. The cooling system must incorporate a fuse rated at no more than 6 Amps.
- The thermostat has 4 knockouts on the cover to accommodate surface wiring. Make sure the cable completely fills the knockout hole without leaving any gaps. Where used, mini-trunking must be fitted firmly against the thermostat cover in such a way as to leave no gap.

## Limited warranty

Honeywell warrants this product for 1 year from date of purchase. We undertake to replace or repair at our discretion, products should they become defective within 1 year solely as a result of faulty materials and or workmanship.

Understandably if the product has not been installed or maintained in accordance with Honeywell's instructions, has not been used appropriately or if any attempt has been made to rectify, dismantle or alter the product in any way the warranty will be invalidated.

This product warranty states Honeywell's entire liability. It does not extend to cover consequential loss or

damage or installation costs arising from a defective product.

If the product is defective, please return it together with a proof of purchase or receipt to the place of purchase.

This does not affect your statutory rights.

If you require further information about this product, call the homexpert™ by Honeywell technical helpline on 0845 604 2893.

For a full list of terms and conditions please visit [www.homexpertbyhoneywell.com](http://www.homexpertbyhoneywell.com).

### Honeywell

The Arnold Centre  
Paycocke Road  
Basilidon, Essex  
SS14 3EA

Technical Help Desk: 0845 604 2893

[www.homexpertbyhoneywell.com](http://www.homexpertbyhoneywell.com)

homexpert™ by Honeywell is a trademark of Honeywell International Inc. All rights reserved.

50051981-001 Rev. A

© 2010 Honeywell International Inc

**homexpert™**  
by Honeywell